

A company dedicated to solving ergonomic and material handling problems since 1955.

Drum Handling Solutions

OWNER'S MANUAL

DRUM POSITIONER SERIES DRUM-P

Contents

Warnings and Safety Instructions	1 & 2	Ordering Replacement Parts	2
Receiving Instructions	1	Periodic Maintenance Instructions	2
Warranty	1	Location of Center of Gravity	3
Safety & Operating Instructions	2	Warning Label Identification	4

FAILURE TO READ AND COMPLY WITH OWNER'S MANUAL MAY RESULT IN ACCIDENT, LOSS, DAMAGE, INJURY OR DEATH!

WARNINGS & SAFETY INSTRUCTIONS

Read owner's manual completely before operating unit!

- Never operate drum positioner unless you are watching it.
- Never use the drum positioner if the cradle is in need of repairs or in the case of a malfunction.
- Do not stand below any part of a raised drum carrier/rotator or drum.
- Never exceed the 800 pound maximum loading capacity of the drum positioner.
- Always load drum at the center of the cradle.
- Consult factory for uneven loading.
- When elevation is not required, always transport the drum in the lowered position.
- Always transport drum only in horizontal position when fork truck is moving.
- Do not allow drum to impact on floor, ground, or dumping station etc., or there may be damage to the unit.
- Remove drum before working on unit.
- Consult factory if adding or performing any modification to the original equipment.
- Use only maintenance parts supplied or approved by the manufacturer.
- Make sure all operator safety labels are in place.
- The drum positioner is not designed to be used to dump material from a drum.

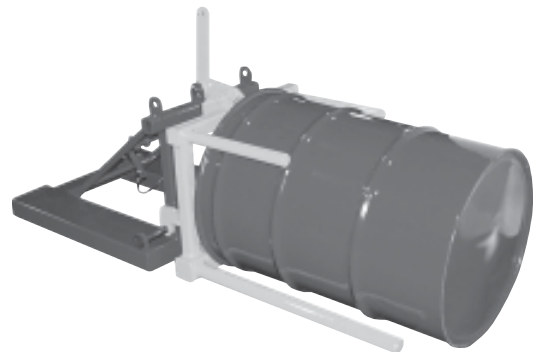
RECEIVING INSTRUCTIONS

Every unit is thoroughly tested and inspected prior to shipment. However, it is possible that the unit may incur damage during transit. If damage is noticed when unloading, make a note of it on the **BILL OF LADING**. Remove all packing and strapping material, then inspect the unit again for damage. **IF DAMAGE IS EVIDENT, FILE A CLAIM WITH THE CARRIER IMMEDIATELY!**

WARRANTY

This product is warranted for 90 DAYS from date of purchase to be free of manufacturing defects in material and workmanship.

This warranty does not cover normal wear of parts or damage resulting from any of the following: negligent use or misuse of the product, use or application contrary to installation instructions, or disassembly, repair or alteration by any person prior to authorization from a factory representative.



**DRUM POSITIONER
DRUM-P SERIES**

SAFETY INSTRUCTIONS FOR THE OPERATOR

- 1.) Please read all instructions THOROUGHLY before attempting to operate your new Drum Carrier/Rotator.
 - 2.) The Model DRUM-P MAXIMUM CAPACITY RATING of 800 pounds. DO NOT exceed this rating as the unsafe condition that may result could cause damage or excessive wear, or make the unit awkward to handle.
 - 3.) When operating, loading, unloading, or maintaining your drum carrier/rotator, always use care and good judgement, have good footing and a firm hold. Keep hands and loose clothing etc., away from all moving parts. Never allow anyone to be below any part of a raised Drum Positioner or drum. Read operating instructions before operation.
- **CAUTION:** Keep the drum positioner level or slightly tilted back toward the fork truck.
 - **CAUTION:** Never use the carrier if it is in need of repairs or if it seems to be malfunctioning. Notify your supervisor or maintenance personnel if you notice damage to any part of carrier.
 - **WARNING:** Do not pull the release cable unless the unit is resting on the ground!
 - **WARNING:** Do not attempt to dump material from a drum with this product!

OPERATING INSTRUCTIONS

Insert the forks fully into the fork tubes. Secure the unit to the fork truck by looping the chain around the fork carriage and fastening it back to itself with a quick-link.

To lay a drum onto its side:

With the carrier resting on the ground, pull the carrier release cable to allow the drum carrier rods to drop to the vertical position. Center the carrier over the upright drum and carefully lower it until the carrier rests on top of the drum. Slowly move backwards while lowering the forks until the side of the drum rests on the floor. Lower the carrier a bit more to allow the latch to lock the rods into the horizontal position. The drum can then be picked up, transported, and placed horizontally into a rack or be stacked.

To stand a drum upright:

With the carriage locked into the horizontal position, slowly approach the top lid of the horizontal drum until the back of the carrier contacts the drum. Tilt fork truck carriage back and lift. Rest the carrier on the floor and pull the carrier release cable. Slowly move forward while raising the forks until the drum is upright.



ORDERING REPLACEMENT PARTS

We take pride in using quality parts on the equipment we manufacture. We are not responsible for equipment problems resulting from the use of unapproved replacement parts.

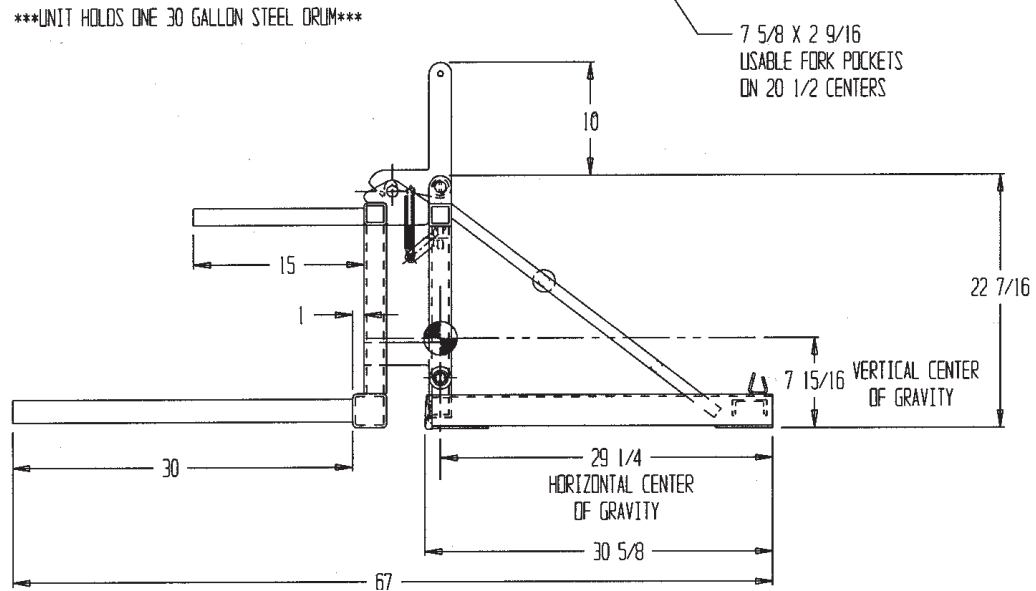
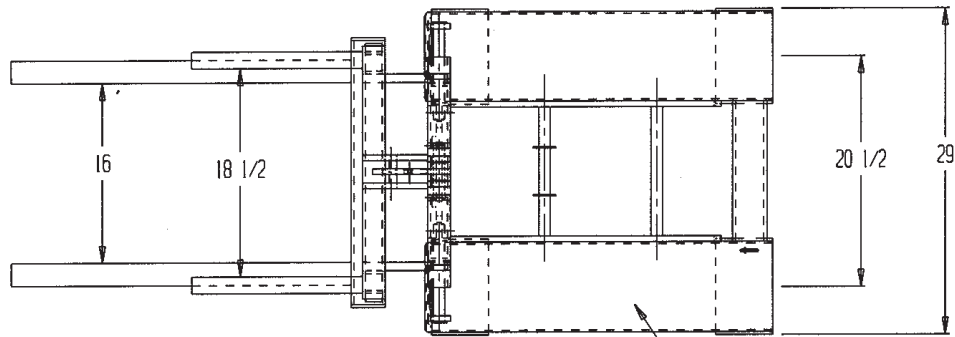
To order replacement parts for this equipment, contact the factory.

In any communication with the factory please be prepared to provide the machine's serial number, which is indicated on the machine dataplate.

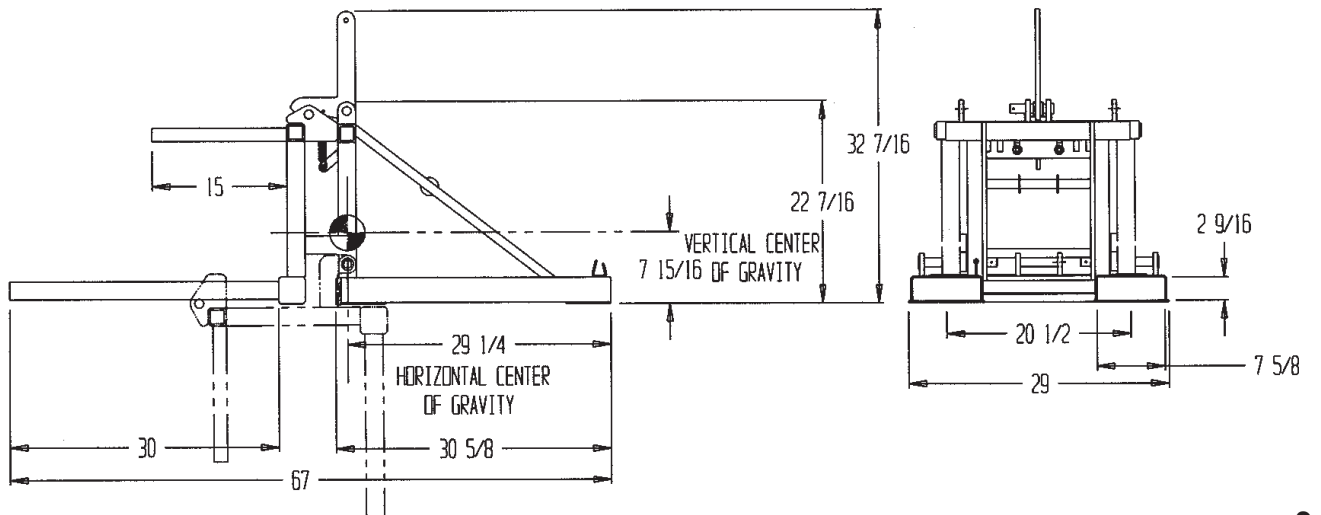
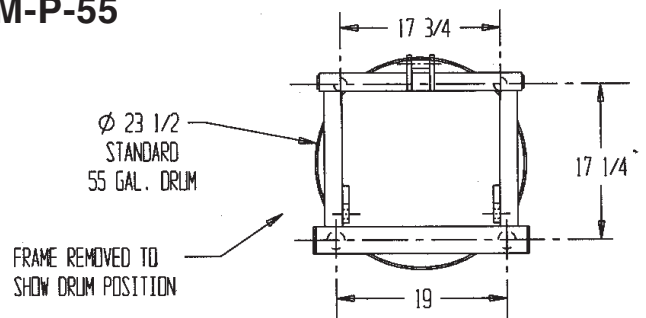
PERIODIC MAINTENANCE INSTRUCTIONS

- 1.) Periodically inspect all moving parts, framework, and contact areas for signs of wear, fatigue or loosening. Tighten, adjust or replace parts as necessary to prevent failure and maintain proper functions.
- 2) Lubricate once a month.

DRUM-P-30

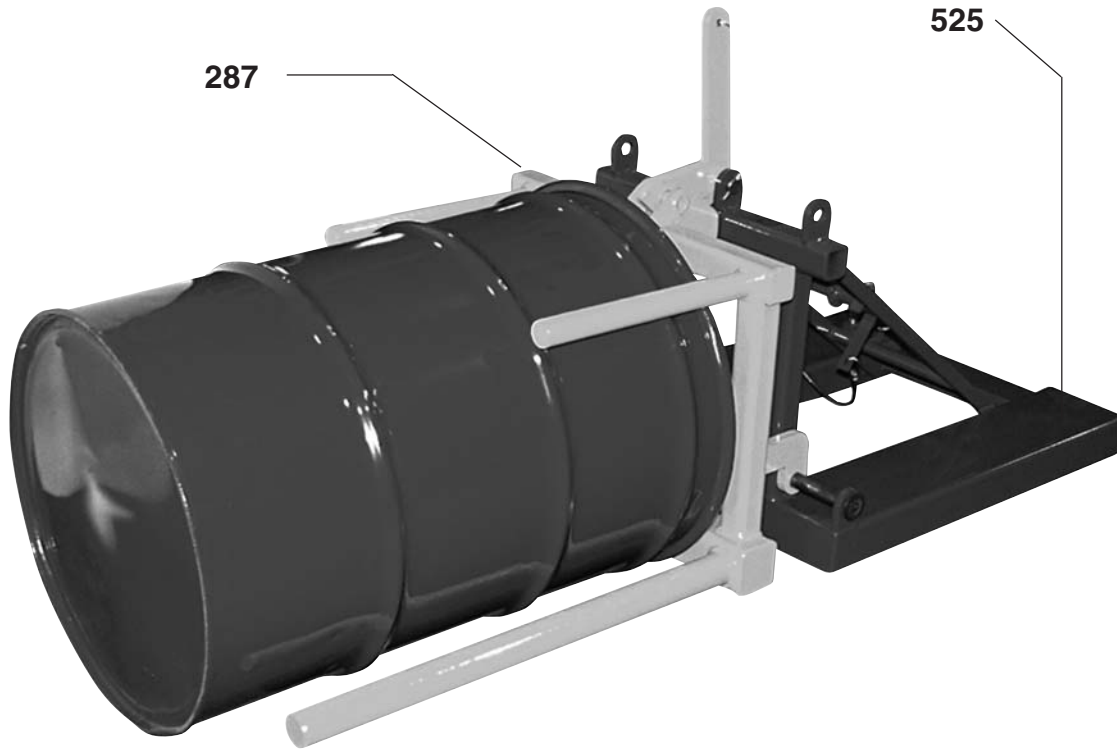


DRUM-P-55



WARNING LABEL IDENTIFICATION

MAKE SURE ALL WARNING LABELS ARE IN PLACE!



287

MODEL/MODÉLO/MODÈLE _____
CAPACITY _____ lbs.
CAPACIDAD/CAPACITÉ _____ kgs.
SERIAL/SERIE/SÉRIE _____
VESTIL MANUFACTURING CORPORATION
sales@vestil.com • www.vestil.com
287 REV 09/03

*Product safety signs or labels should be periodically inspected and cleaned by the product users as necessary to maintain good legibility for safe viewing distance ... ANSI 535.4 (10.21)
Contact manufacturer for replacement labels.

525

▲ WARNING	▲ ADVERTENCIA	▲ AVERTISSEMENT
SECURELY ATTACH the safety locking device to forklift	SUJETE CON SEGURIDAD el seguro de cierre a la transpaleta	ATTACHER SOLIDEMENT le dispositif d'arrêt automatique au chariot élévateur
VESTIL MANUFACTURING CORPORATION • Angola, Indiana USA • Phone (260) 665-7586 • sales@vestil.com • www.vestil.com		
525 Rev 02/05		